

### DESCRIPTION

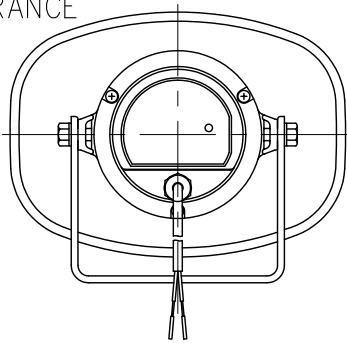
The SC-615M is a compact, highly intelligible speaker suited to public address announcement applications. Its external speaker component finished with powder coating, and stainless steel bracket and screws ensure the unit's weatherproof capability.

### SPECIFICATIONS

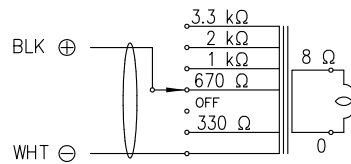
Rated Input	15 W
Line Voltage	100 V line or 70 V line
Rated Impedance	100 V line: 670 Ω (15 W), 1 kΩ (10 W), 2 kΩ (5 W), 3.3 kΩ (3 W) 70 V line: 330 Ω (15 W), 670 Ω (7.5 W), 1 kΩ (5 W), 2 kΩ (2.5 W), 3.3 kΩ (1.5 W)
Sound Pressure Level	112 dB (1 W, 1 m at 500 Hz to 2.5 kHz peak level)
Frequency Response	280 Hz – 12.5 kHz
Sensitivity when used as Microphone (0 dB=1 mW/10 dynes/cm <sup>2</sup> )	-22 dB at 1 kHz
Dust/Water Protection	IP65
Polarity	Hot: Black, Com: White
Operating Temperature	-20 °C to +55 °C (must be free from dew condensation)
Finish	Horn flare: Aluminum, off-white, powder coating Reflector horn and rear cover: ABS resin, off-white Bracket, Screws and bolts: Stainless steel Speaker cable: Polyvinyl chloride insulated cabtyre cable (6 mm in diameter, 600 mm in length)
Dimensions	222 (W) × 179 (H) × 234 (D) mm
Weight	1.3 kg
Option	Swivel bracket: YS-151S (Can be used instead of the supplied bracket.)

Note: Avoid installing the speaker in locations which vibrate considerably, or under environments easy to be oil-contaminated.

### APPEARANCE



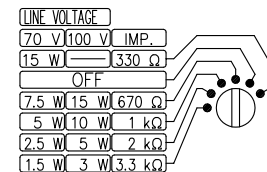
Rear View



(Transformer connection when the speaker is supplied from the factory)

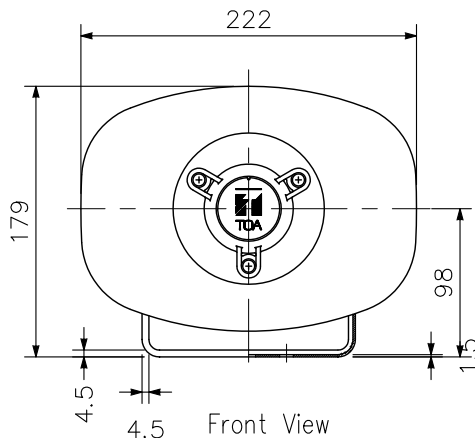
Wiring diagram

CAUTION  
NEVER SET THE SWITCH TO "100" POSITION FOR 100 V LINE OPERATION, AS DOING SO MAY RESULT IN DAMAGE TO THE SPEAKER.

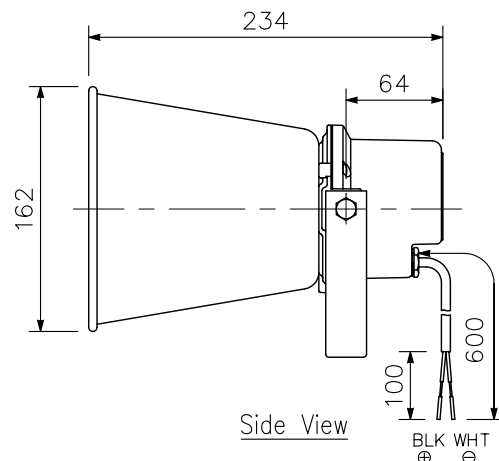


Set the impedance selector to the desired impedance.

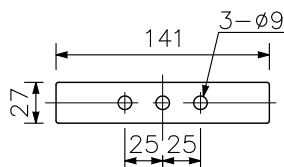
Impedance selection



Front View



Side View



Bracket dimensional diagram

UNIT: mm SCALE: 1/5